

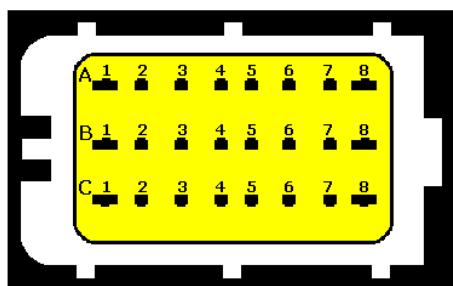
# Honda CBR600 RR

Advanced Fuel & Ignition system version 2005

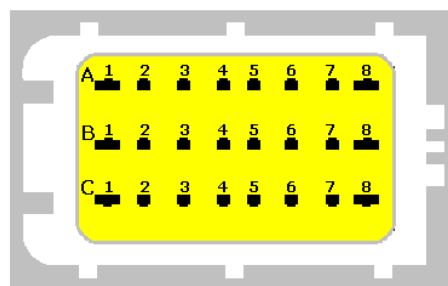




## Verbindingschema Honda CBR600-RR 2005 → AFI05



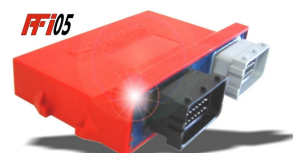
**Black**



**Grey**

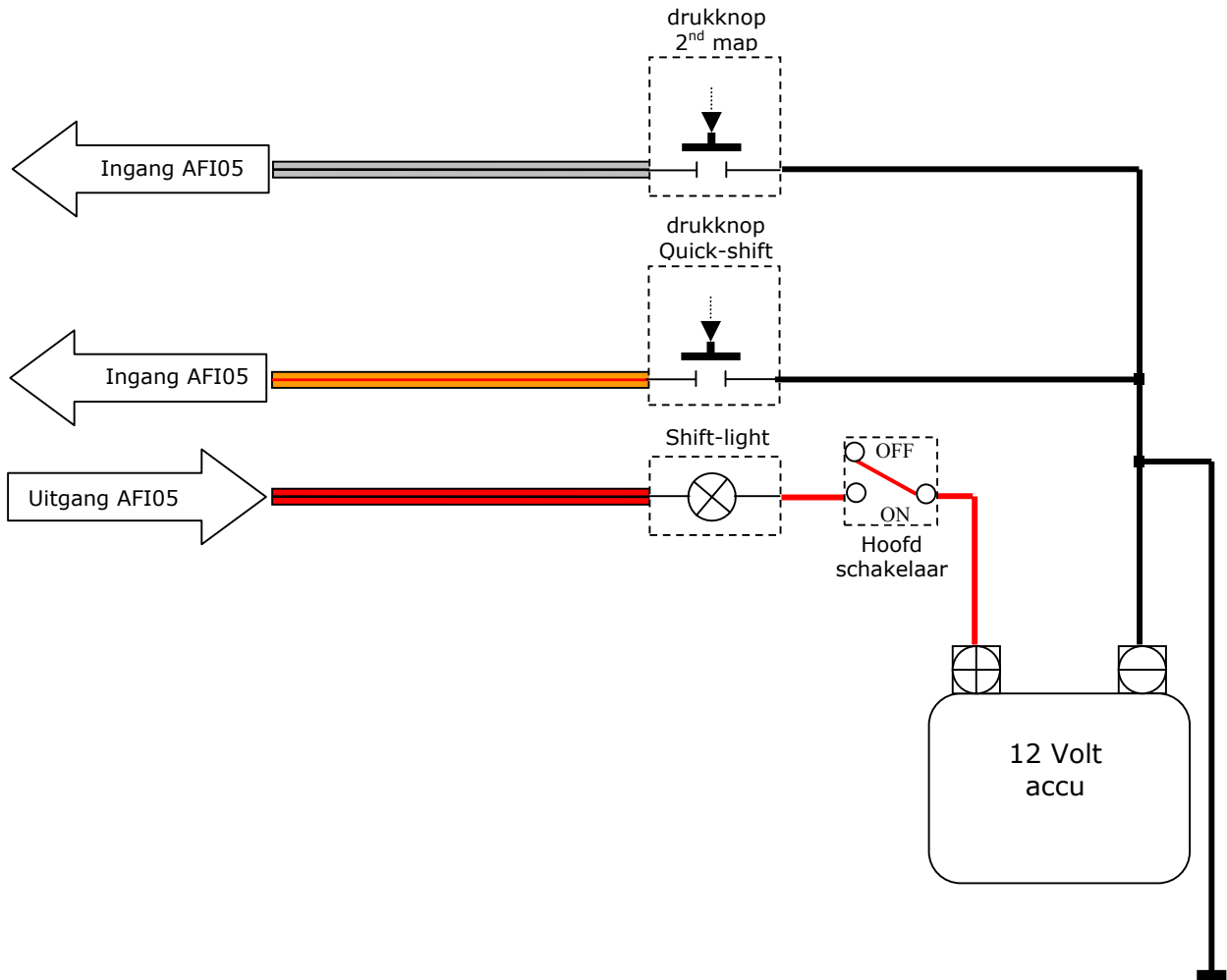
Con.	Kleur		Omschrijving	Con	Kleur		Omschrijving
A8	R/Bl		Bobine #3	A8	Gr/O		Massa Kruk-/nok signaal
A7	Gl/W		Bobine #2	A7			Val sensor
A6	Bl/Zw		Bobine #1	A6	Grijs/Zw		Massa TxRx #1 pin1
A5	Rose/Gl		Injector #1	A5	W/Zw		Rx #1 pin2
A4	Rose/Gl		Douche injector #1	A4	Grijs/Bl		Tx #1 pin3
A3	Rose/Bl		Injector #2	A3	Rose/Wit		ECT sensor
A2	Rose/Bl		Douche injector #2	A2	Grijs/Bl		IAT sensor
A1	Rose/Gr		Injector #3	A1	LGr/Gl		MAP sensor
B8	R/Gl		Bobine #4	B8	Gr		Massa
B7			Massa	B7			Launch control ingang
B6			-	B6	O/R		Quick-shift ingang
B5			-	B5	Gr/O		Massa sensoren
B4			-	B4			Tx #2
B3			-	B3	Grijs/Zw		2 <sup>de</sup> curve ingang
B2			-	B2	R/Gl		TPS sensor
B1	Rose/Zw		Injector #4	B1	Zw/W		+12V
C8	Gr/Rose		Massa	C8			Massa TxRx #2
C7	Gr/Rose		Massa	C7	Gl/R		+5V sensoren
C6			-	C6	Gl/Gr		Toerenteller uitgang
C5			-	C5			Massa krukas sign
C4	R/Zw		Shift light	C4			Rx #2
C3			Koelvin aansturing	C3	Grijs		Nokkenas signaal
C2	Rose/Zw		Douche injector #4	C2	Gl		Krukas signaal
C1	Rose/Gr		Douche injector #3	C1	Br/Zw		Brandstofpomp uitgang

T : +31 (0)492 565220  
 F : +31 (0)492 565491  
 W : www.carmo.nl  
 E : info@carmo.nl

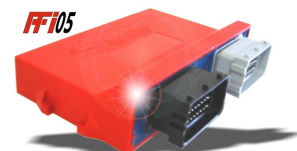




### Aansluitschema voor opties AFI05

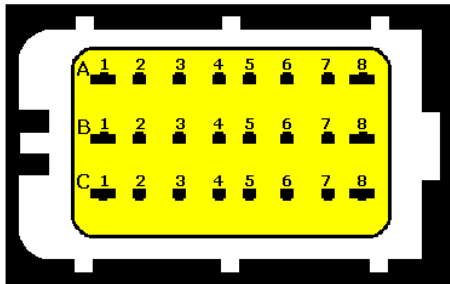


T : +31 (0)492 565220  
F : +31 (0)492 565491  
W : www.carmo.nl  
E : info@carmo.nl

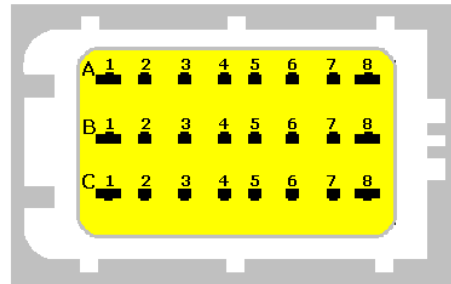




**Connection diagram  
Honda CBR600-RR 2005 → AFI05**



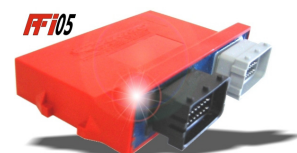
**Black**



**Grey**

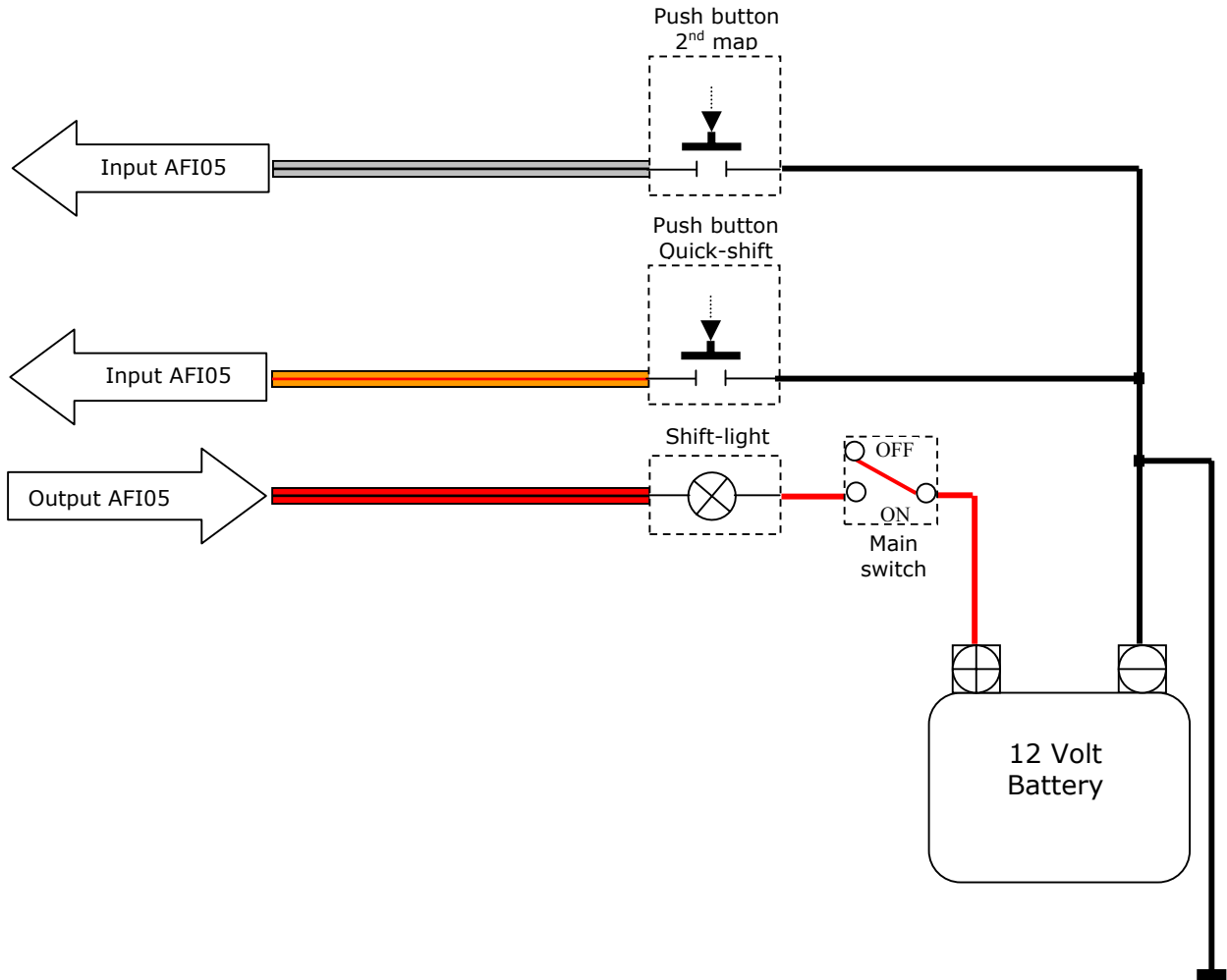
Con.	Color	Description	Con	Color	Description
A8	R/Bl	Ignitioncoil #3	A8	Gr/O	Ground Crank/Cam signal
A7	Y/W	Ignitioncoil #2	A7		Down sensor
A6	Bl/Bk	Ignitioncoil #1	A6	Grey/Bk	Ground TxRx #1 pin1
A5	P/Y	Injector #1	A5	W/Bk	Rx #1 pin2
A4	P/Y	Shower injector #1	A4	Grey/Bl	Tx #1 pin3
A3	P/Bl	Injector #2	A3	P/W	ECT sensor
A2	P/Bl	Shower injector #2	A2	Grey/Bl	IAT sensor
A1	P/Gr	Injector #3	A1	LGr/Y	MAP sensor
B8	R/Gr	Ignitioncoil #4	B8	Gr	Ground
B7			B7		Launch control ingang
B6		-	B6	O/R	Quick-shift ingang
B5		-	B5	Gr/O	Ground Sensors
B4		-	B4		Tx #2
B3		-	B3	Grey/Bk	2 <sup>de</sup> map input
B2		-	B2	R/Y	TPS sensor
B1	P/Bk	Injector #4	B1	Bk/W	+12V
C8	Gr/Rose	Ground	C8		Ground TxRx #2
C7	Gr/Rose	Ground	C7	Y/R	+5V sensor powersupply
C6		-	C6	Y/Gr	Tacho output
C5		-	C5		Ground crank signal
C4	R/Bk	Shift light	C4		Rx #2
C3		Fan relay	C3	Grey	Cam signal
C2	P/Bk	Shower injector #4	C2	Y	Crank signal
C1	P/Gr	Shower injector #3	C1	Br/Bk	Fuelpump relay

T : +31 (0)492 565220  
F : +31 (0)492 565491  
W : www.carmo.nl  
E : info@carmo.nl





### Connection diagram Options AFI05



T : +31 (0)492 565220  
F : +31 (0)492 565491  
W : www.carmo.nl  
E : info@carmo.nl

